

# BLDE BLADE LED LINEAR LUMINAIRE

Catalog Number: BLD4EQM1X100U4KCPW

1.2M Blade, Medium Distribution, 120/277V, 4K, Clear Polycarbonate lens, White Finish

## LEDicated

The **BLD2EQ, 4EQ and 8EQ** Blade linear luminaires provides controlled illumination for general and task lighting designed for the harsh environments found in food processing and heavy manufacturing facilities. The Blade luminaire utilises high efficiency LED light sources that reduce maintenance and lower energy costs yielding a faster return on investment. Our fixtures are designed to withstand the demands for agricultural environments, including harsh daily wash downs.

These high quality durable fixtures are used in food and beverage processing, meat and poultry processing, livestock agricultural facilities, heavy industrial, and manufacturing facilities. Employing appropriate lighting for livestock farms can lead to healthier, more productive animals. Installing quality LED Lighting that meets the demands of food and beverage processing, generates positive results for employees and the organisation as a whole. Higher light levels improve safety and employee morale, which positively impacts productivity.

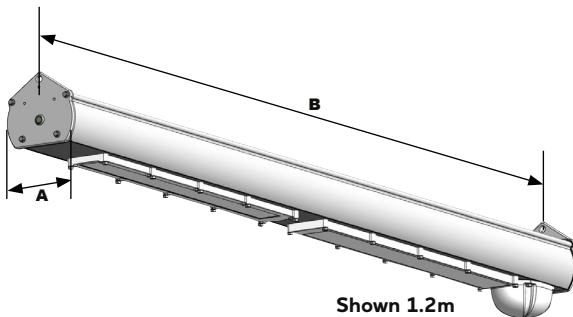
## APPLICATIONS

Perfect for food processing plants, manufacturing centres, meat and poultry processing, and livestock and agricultural facilities.



COMING SOON - AVAILABLE Q1 2023

WWW.QSSI.COM



### Dimensions

<b>Diameter (A)</b>	85mm
<b>Length (B)</b>	<b>BLD2EQ:</b> 610mm <b>BLD4EQ:</b> 1219mm <b>BLD8EQ:</b> 2438mm

## SPECIFICATIONS

- 50 to 200W; 7,500 to 30,000 lumens 4K or 5K CCT
- Medium or wide optics, Polycarbonate or optional Acrylic lens
- Certified to UL 1598, wet location
- IP66 Ingress rated water and dust tight.
- NSF2 Food splash zone rated; pressure wash up to 1600 PSI
- Integral Emergency Battery Backup
- 0.6M , 1.2M, 2.4M lengths, aircraft cable or chain hung
- Integral Motion Sensor
- 120-277V UKCA/CE Certified Driver

Preliminary, specifications subject to change. Refer to published specification sheet for most current information.



The Old Airfield • High Ercall, Telford  
Shropshire TF6 6AP • Phone: 01952-770-382

Rev. 120722