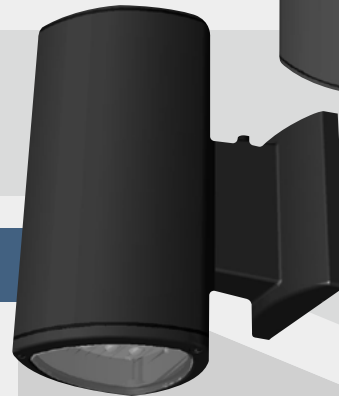


PRODUCT OVERVIEW

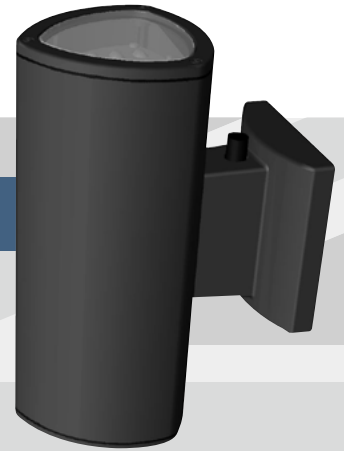
The WBB12E Delta Wall Cylinder combines aesthetics and installer-friendly features to provide lighting for building entrance, architectural accent, and parking / walkway areas adjacent to buildings. The IP66 sealed LED housing offers excellent optical control and heat dissipation for long life. The rounder triangular shape blends with any architectural style and can be complemented with our matching B12E bollard. The recessed arrays with on-board optics provides full cutoff visually comfortable illumination.



WBB12SEQ
Up OR Down



WBB12DEQ
Up and Down



Enquire about Rapid Ship
01952-770-382

The extruded and die cast aluminium housing is finished with a weather-resistant textured black powdercoat finish providing years of service. The precision one-piece clear vandal-resistant UV-stabilised polycarbonate optical lens produces a IES Type II for walkways and a Type IV for asymmetric areas. Mounts over a BESA or 100mm back box for easy installation. Available as a 15w single Up or Down model or 30w Double Up and Down model in three colour temperatures (3000K, 4000K and 5000K), which produces up to 3,000 delivered lumens. Easily replaces 70-100 Watt legacy HID systems, with an energy savings of 80% or more versus comparable Metal Halide systems.

CONSTRUCTION

Cast and extruded aluminium
Polycarbonate lens
Stainless steel hardware
One Piece Clear UV-Stabilised Polycarbonate Vandal-Resistant Lens

EFFICACY

Up to 99 lumens per watt
Excellent thermal management for LED longevity
80% energy savings over traditional metal halide

DRIVER

1-10V Dimmable Driver
CE Certified Driver
2kV Surge Protection Standard

APPLICATIONS

Retail Centres
Restaurants
Hotels
Schools & Universities
Office Buildings
Medical Facilities

EXTRAS

Emergency Battery Back-Up
Integral photocell or microwave motion sensor

Catalog Number: WBB12E(S,D)(D.D2)Q(1X15, 2X15)U(3K,4K,5K)B

Coming soon!

Preliminary, specifications subject to change. Refer to published specification sheet for most current information.