



WBB12 DELTA WALL CYLINDER

Catalog Number: WBB12(S,D)(D,D2)Q(1X15, 2X15)U(3K,4K,5K)(B=Black, Z=Bronze)

COMING SOON - AVAILABLE Q2 2022

Preliminary, specifications subject to change. Refer to published specification sheet for most current information.

The **WBB12 Delta Wall Cylinder** combines aesthetics and installer-friendly features to provide lighting for building entrance, architectural accent, and parking / walkway areas adjacent to buildings. The IP66 sealed LED housing offers excellent optical control and heat dissipation for long life. The rounder triangular shape blends with any architectural style and can be complemented with our matching B12 bollard. The recessed arrays with on-board optics provides full cutoff visually comfortable illumination.

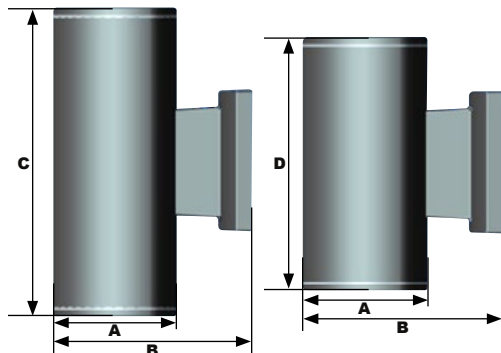
SPECIFICATIONS

- Extruded and diecast aluminum housing
- Textured architectural bronze or black powdercoat finish over a chromate conversion coating
- Nickel-plated stainless steel hardware
- LED array is mounted to an integral diecast aluminum heatsink
- Easy Hang wall mount system fits over standard 4" box
- 1X15 (Single) or 2X15 (Up and Down) Array watts 1,480 to 2,960 delivered lumens, 3K, 4K, 5K CCT
- 120-277VAC driver, 0-10V dimming, IP67 fully potted driver
- Optics output includes IES Type II (walkway) and Type IV (asymmetric area)
- One-piece polycarbonate clear lens – IP66 Sealed
- Emergency Battery Back-up is an available option
- Single 1X15 fixture can be mounted UP or Down only (Specify when ordering)
- Integral photocell or microwave motion sensor, fusing, surge protection, and battery backup available



WBB12DQ
Up and Down
(Shown Bronze)

WBB12SQ
Up OR Down
(Shown Down Black)



Dimensions

Width (B)	8 1/8" (224mm)
Depth (A)	6" (152mm)
WBB12SQ Height (C)	10 1/4" (260mm)
WBB12DQ Height (D)	12 1/2" (320mm)

APPLICATIONS

Perfect for retail, commercial office parks, dormitories, medical office, multi-family residential, and industrial park exterior building projects.



www.qssi.com

Rev. 011822

12802 Commodity PL, Tampa, FL 33626
Phone: 813-855-9416